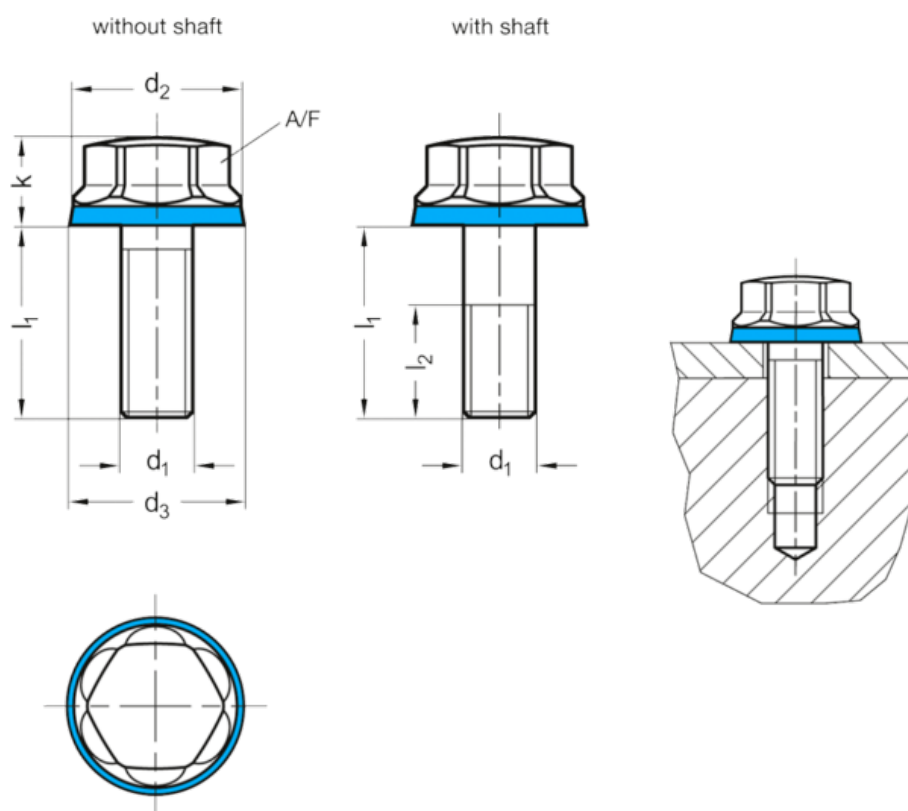


Article number: 201581M830MTE

Description: E+G Screw GN 1581-M8-30-MT-E
EPDM Sealing ring in hygienic design

Measures



A/F	= 13
d1	= M8
d2	= 16
d3	= 16.8
l1 without shaft	= 30
l1 with shaft	= -
l2	= -
k	= 8.5

Weight in (g) = 21